

# Systematic Simplicity

## HD video mediastinoscopy – Plug & Play



# HD Video Mediastinoscopy from KARL STORZ

## Future-oriented – Compact – Straightforward

In thoracic surgery, video mediastinoscopy is of great value and importance for the histological clarification of mediastinal lymph nodes and for tumor staging. Tissue structures are clearly displayed for the purpose of diagnosis and for the precise dissection of lymph nodes.

Equipped with the future-oriented CMOS technology and an LED light source integrated in the handle, the HD video mediastinoscope provides the best possible imaging.



### Keeping it simple!

The fully autoclavable, ergonomic handle and the continuous lateral slot in the blade feature a fine-tuned balance and lightweight design.

In conjunction with the KARL STORZ IMAGE1 S™ camera system, function keys in the handle with haptic feedback allow easy adjustment of settings for optimized image quality.

The new HD video mediastinoscope system utilizes the modular KARL STORZ IMAGE1 S™ camera system and matching instruments.

### Plug & Play!

# Components of the KARL STORZ HD video mediastinoscopy system

## Camera system

IMAGE1 S CONNECT®



TC 200EN/TC 201EN

## Camera Control Unit for one-chip camera heads

IMAGE1 S™ X-LINK



TC301

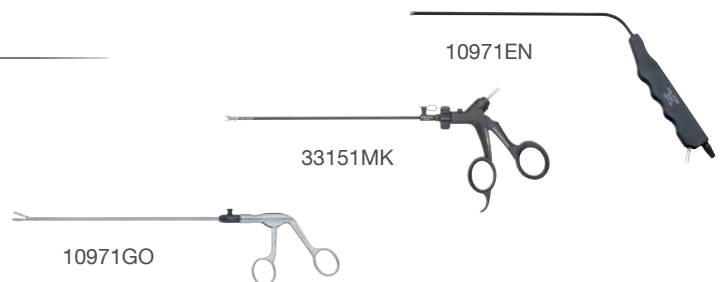
## HD video mediastinoscope



10973HD

## Instruments

Unipolar coagulation suction tubes  
CLICKLINE scissors and forceps  
MEDIAFIT range of forceps



10971GO

33151MK

10971EN

## Special Features at a Glance

New technologies combine simplicity with economy

### Plug & Play!

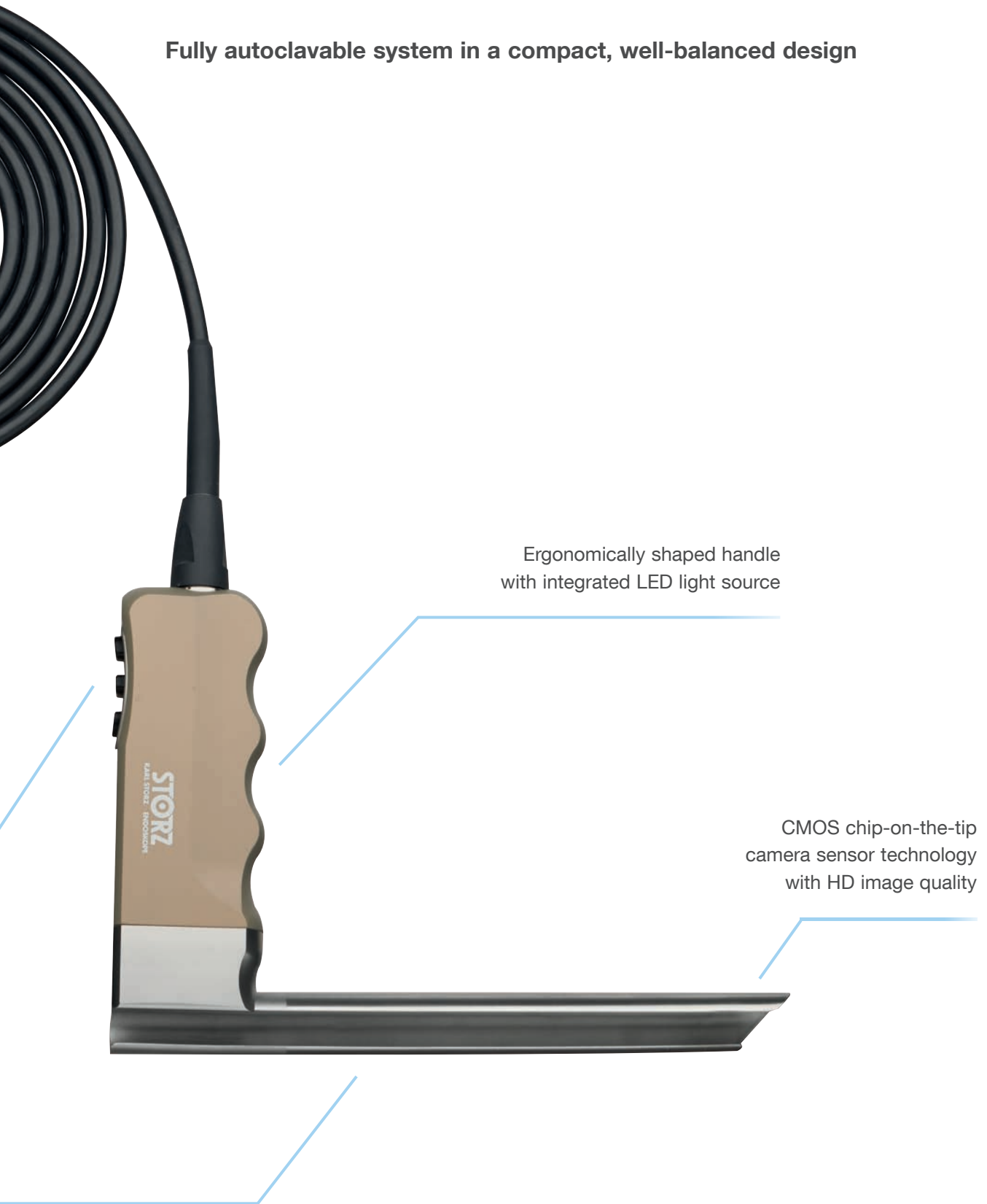
Cable exit with connection to the  
IMAGE1 S™ X-LINK camera module



Camera menu control via keyboard with haptic  
feedback (programmable)

Blade with continuous lateral slit for use with  
matching KARL STORZ instruments

Fully autoclavable system in a compact, well-balanced design



## Coagulation Suction Cannulas



10971EN **Coagulation Suction Cannula**, insulated, with connector pin for unipolar coagulation, angled handle, diameter 5 mm, length 20 cm

10971ENL **Same**, length 30 cm



10972EN **Coagulation Suction Cannula**, curved distally, insulated, with connector pin for unipolar coagulation, angled handle, diameter 5 mm, length 20 cm

10972ENL **Same**, length 30 cm

## CLICKline METZENBAUM Scissors

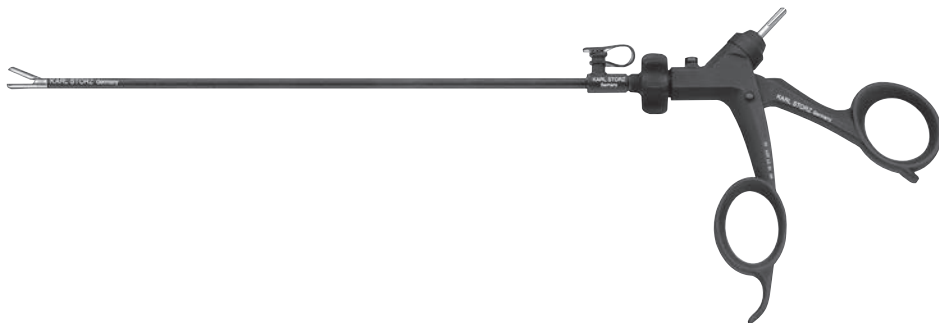


33151MK

**CLICKLINE METZENBAUM Scissors**, rotating, dismantling, insulated, with connector pin for unipolar coagulation, with LUER-Lock irrigation connector for cleaning, double action jaws, curved, size 5 mm, length 25 cm including:

**Plastic Handle**, without ratchet, with large contact area at the finger ring  
**Metal Outer Sheath**, insulated  
**Scissors Insert**

## CLICKline Biopsy Forceps



34151MB

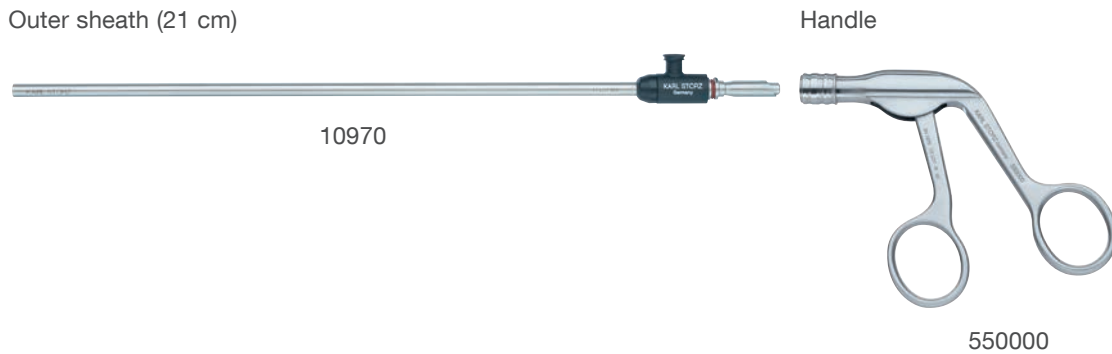
**CLICKLINE Biopsy Forceps**, rotating, dismantling, insulated, with connector pin for unipolar coagulation, single action jaws, size 5 mm, length 25 cm including:





**Plastic Handle**, without ratchet, with large contact area at the finger ring  
**Metal Outer Sheath**, insulated  
**Forceps Insert**

## MediaFIT Instruments for Mediastinoscopy

The modular concept of the MEDIAFIT range assortment features a compact, balanced and slim construction and allows dismantling into 3 components for optimal reprocessing.

Standardization of the product range facilitates the selection of the forceps insert on offer and ensures that users will not miss conventional instruments. The working lengths of the working inserts have been adapted to suit the KARL STORZ range of mediastinoscopes.



Working Insert		Complete Instrument	
10900GO		10971GO	<b>MEDIAFIT Biopsy Forceps</b> , oval jaws, size 8 x 16 mm, sheath diameter 5 mm, length 21 cm
10900GP		10971GP	<b>MEDIAFIT Biopsy Forceps</b> , oval jaws, size 6 x 12 mm, sheath diameter 5 mm, length 21 cm
10900GR		10971GR	<b>MEDIAFIT Biopsy Forceps</b> , spoon-shaped jaws, jaw diameter 5 mm, sheath diameter 5 mm, length 21 cm
10900M		10971M	<b>MEDIAFIT MAASSEN Sponge and Dissecting Forceps</b> , fenestrated, double action jaws, sheath diameter 5 mm, length 21 cm

Other products can be found in the THORAX catalog.





---

## Notes

A large grid for taking notes, consisting of approximately 23 columns and 37 rows.

# Notes

A large grid of 20 columns and 40 rows for taking notes. The grid is composed of thin black lines forming small squares, suitable for writing or drawing. It occupies the central portion of the page below the 'Notes' header.

It is recommended to check the suitability of the product for the intended procedure prior to use.  
Please note that the described products in this medium may not be available yet in all countries due to different regulatory requirements.

More than  
**75**  
Years

*Shaping the Future  
of Endoscopy with you*

KARL STORZ Endoscopy-America, Inc.  
2151 East Grand Avenue  
El Segundo, CA 90245-5017, USA  
Phone: +1 424 218-8100  
Phone toll free: 800 421-0837 (US only)  
Fax: +1 424 218-8525  
Fax toll free: 800 321-1304 (US only)  
E-Mail: [communications@karlstorz.com](mailto:communications@karlstorz.com)

**STORZ**  
KARL STORZ—ENDOSKOPE

THE DIAMOND STANDARD

KARL STORZ SE & Co. KG  
Dr.-Karl-Storz-Straße 34, 78532 Tuttlingen/Germany  
Postbox 230, 78503 Tuttlingen/Germany  
Phone: +49 7461 708-0  
Fax: +49 7461 708-105  
E-Mail: [info@karlstorz.com](mailto:info@karlstorz.com)

[www.karlstorz.com](http://www.karlstorz.com)

FOR U.S. USE ONLY

