

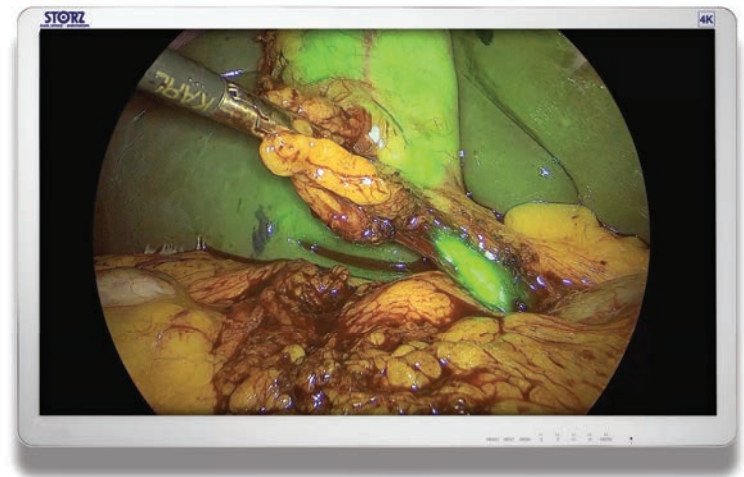
32-INCH 4K SURGICAL MONITOR

HIGHLIGHTS

The TM343 monitor is the next generation 32-inch 4K/UHD surgical display solution. The design incorporates technology to deliver the highest attainable level of performance and visual quality.

As a key component in the 4K imaging chain, this monitor has been optimized for use with the IMAGE1 S™ as well as OR1® video integration systems.

- Chemically strengthened front glass for improved durability
- Optimized for both carts and OR1® integrated rooms
- Sealed front design is easy to disinfect (IP45 rating)
- Features KARL STORZ presets, PIP, and Auto-Input Select
- Supports 4K via DisplayPort, 12G-SDI, and HDMI 2.0 inputs
- Backward compatible with HD signals



SPECIFICATIONS

IMAGE	
Display and Backlight Type	Color IPS LCD, LED Backlight
Protective Front Glass	Optically bonded, AR Coated, Chemically Strengthened Glass
Screen Size (Diagonal)	32.0" (813 mm)
Image Size (H x V)	27.9" (708.5 mm) x 15.7" (398.5 mm)
Native Resolution	3840 x 2160 (16:9 aspect ratio)
Brightness (typical)	700 cd/m ²
Contrast Ratio (typical)	1350:1
Number of Colors	1.07 billion, 10-bit
Color Calibration	BT.2020 (4K), BT.709 (HD)
Viewing Angle (H / V, typical)	178° / 178°
POWER	
Monitor Power Input	DC 48 V ± 10%, 3.17 A
Monitor 5V DC Output	2 Amp (max), HR10A 4-pin connector
AC Adapter Power Input	AC 100-240 V ± 10 %, 50 / 60 ± 3 Hz
Power Consumption (Max)	167 Watts
REGULATORY	
Approvals / Certifications	FDA Class I Medical Device. Approved by c-TÜV-us (US/Canada). Complies with: ANSI/AAMI ES60601-1 CAN/CSA-C22.2 No.601.1-14, FCC part 15 subpart B Class A, California Proposition 65 and CEC Energy Conservation. AC Adaptor: UL Listed (US/Canada).

It is recommended to check the suitability of the product for the intended procedure prior to use.
Please note that the described products in this medium may not be available yet in all countries due to different regulatory requirements.

32-INCH 4K SURGICAL MONITOR

SPECIFICATIONS SHEET

SPECIFICATIONS

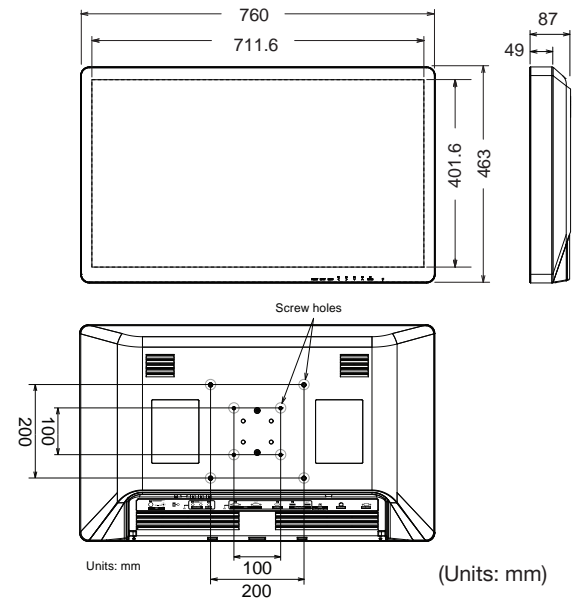
PHYSICAL

Dimensions (W × H × D)	30.0" (760.8 mm) × 18.3" (463.8 mm) × 3.6" (91.6 mm)
Monitor Weight	29.0 lbs (13.2 kg)
IP Rating	IP45 (front), IP32 (rear)
VESA Mounting	200 x 200 mm & 100 x 100 mm
Cable Management	Built-in connector panel cover, HDMI cable lock

CONNECTIVITY

4K Inputs*	1 x 12G-SDI Input, 1 x DisplayPort 1.2 Input, 1 x HDMI 2.0 Input
HD Inputs**	1 x 3G-SDI Input, 1 x DVI-D Input
4K Output	1 x 12G-SDI Output (BNC), 1 x DisplayPort 1.2 Output
HD Output	1 x DVI-D Output
Communication Ports	RJ-45 Ethernet, RS-232 serial (DB-9)

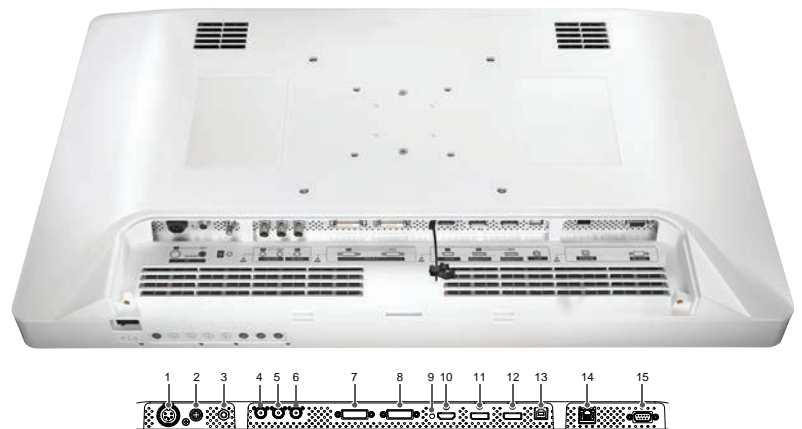
DIMENSIONAL DRAWING



CONNECTOR PANEL

TERMINAL DESCRIPTIONS

1	DC Power Input (48V)	9	HDMI Cable Lock
2	DC Power Output (5V, 2A)	10	HDMI 2.0 Input
3	Equipotential Terminal	11	DisplayPort 1.2 Input
4	12G-SDI Input	12	DisplayPort 1.2 Output
5	12G-SDI Output	13	USB (Service Only)
6	3G-SDI Input	14	Ethernet (RJ-45)
7	DVI-D Input	15	RS-232 Serial (DB-9)
8	DVI-D Output		



*The 12G-SDI input connection also supports 3G-SDI (1080p) and HD-SDI (1080i) formats.

**The 3G-SDI input connection also supports HD-SDI (1080i) formats.

It is recommended to check the suitability of the product for the intended procedure prior to use.
Please note that the described products in this medium may not be available yet in all countries due to different regulatory requirements.

KARL STORZ SE & Co. KG
Dr.-Karl-Storz-Straße 34, 78532 Tuttlingen/Germany
Postbox 230, 78503 Tuttlingen/Germany
Phone: +49 7461 708-0
Fax: +49 7461 708-105
E-Mail: info@karlstorz.com
www.karlstorz.com



KARL STORZ Endoscopy-America, Inc.
2151 East Grand Avenue
El Segundo, CA 90245-5017, USA
Phone: +1 424 218-8100
Phone toll free: 800 421-0837 (US only)
Fax: +1 424 218-8525
Fax toll free: 800 321-1304 (US only)
E-Mail: communications@karlstorz.com

Caution: Federal (USA) law restricts this device to sale by or on the order of physician.

FOR U.S. USE ONLY

© 2021 KARL STORZ Endoscopy-America, Inc.

97208080 TP 1 2.0 us 06/2021/SE-E-US