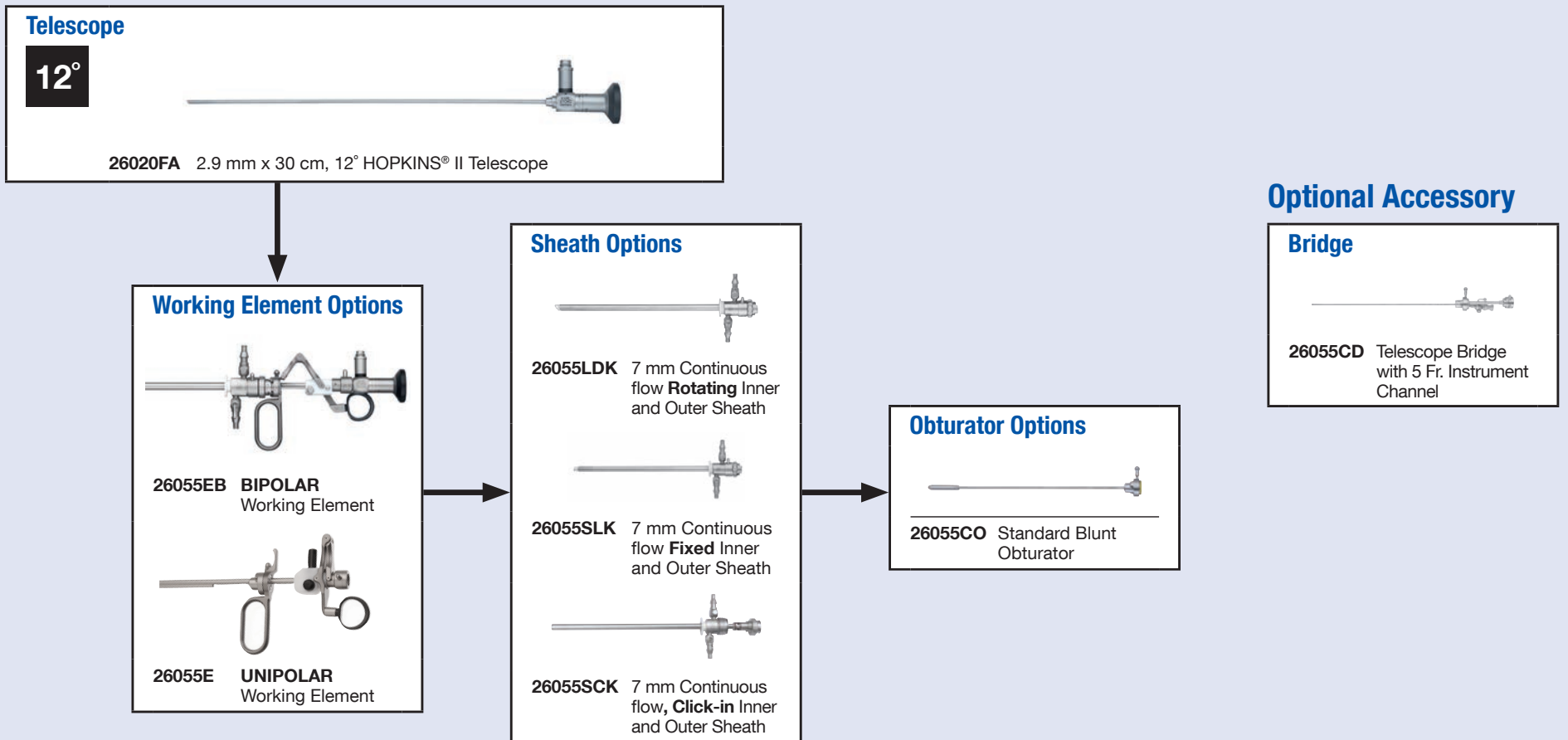
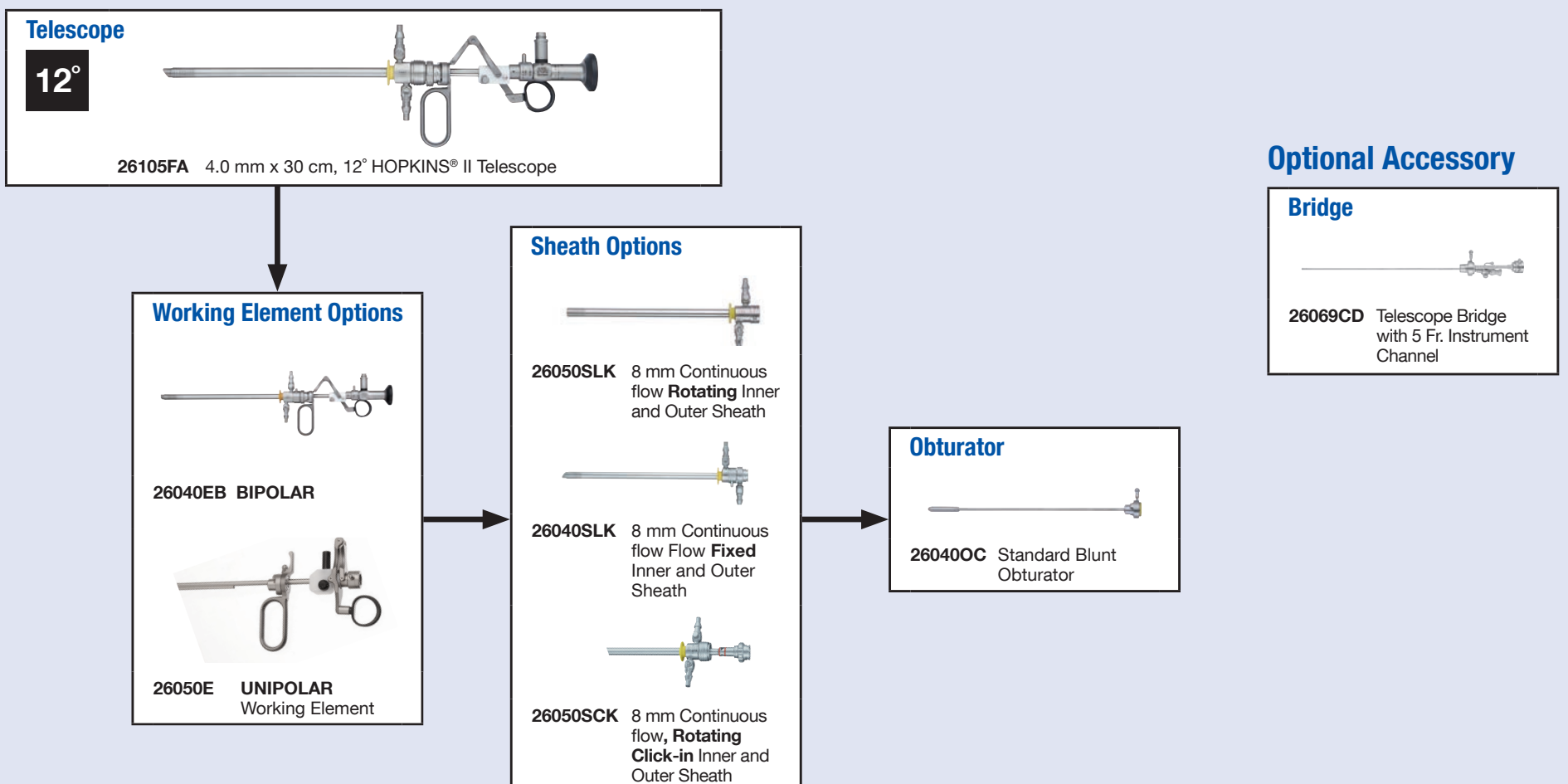


# KARL STORZ Gynecology Resection Systems

## 7 mm (22 Fr.) Resectoscope Systems



## 8 mm (26 Fr.) Resectoscope Systems



# KARL STORZ Gynecology Resection Electrodes & Accessories

## Bipolar & Unipolar Electrodes

**BIPOLAR Electrodes**

<b>7 mm</b> (22 Fr.)	<b>Color Code</b> WHITE
-------------------------	----------------------------



**26055GP1-S** Cutting Loop Electrode




**26055NB-S** Half-Moon Coagulating/Vaporizing Electrode




**26055BL1-S** Pointed (needle/knife) Electrode

**UNIPOLAR Electrodes**


<b>7 mm</b> (22 Fr.)	<b>Color Code</b> WHITE
-------------------------	----------------------------



**26055G-S** Angled Cutting Electrode




**26055H-S** 25° Angled Cutting Electrode




**26055N-S** 3 mm Ball End Electrode



**26055L-S** Knife-Shaped Coagulating Electrode



**26055RK-S** 3 mm Roller Barrel Electrode



**26055SG-S** VaporCut Electrode

**BIPOLAR Electrodes**

<b>8 mm</b> (26 Fr.)	<b>Color Code</b> YELLOW
-------------------------	-----------------------------



**26040GP1-S** Cutting Loop Electrode



**26040NB-S** Half-Moon Coagulating/Vaporizing Electrode




**26040BL1-S** Pointed (needle/knife) Electrode




**26040JB1-S** Longitudinal Cutting Electrode

**UNIPOLAR Electrodes**


<b>8 mm</b> (26 Fr.)	<b>Color Code</b> YELLOW
-------------------------	-----------------------------




**26050G-S** Cutting Loop Electrode




**26050J-S** Straight Cutting Loop Electrode




**26050N-S** 3 mm Coagulating Ball End Electrode




**26050NK-S** 5 mm Coagulating Ball Electrode




**26050NX-S** 3 mm Roller Barrel Cylindrical Electrode



**26050NW-S** 5 mm Roller Barrel Cylindrical Electrode




**26050XH-S** Angled Coagulating Needle Electrode



**26050L-S** Pointed Coagulating Electrode

## Bipolar & Unipolar Cables

### Bipolar HF Cables



**UH801** Bipolar HF Cord, 400 cm, for KARL STORZ UH 400



**27176LEB** For AUTOCON II 400 and Erbe Type ICC, Generators

### Unipolar HF Cables



**277KE** For KARL STORZ AUTOCON II 400 – (5 mm receptacle), Erbe Type ICC, and Conmed Generators



**277KB** For KARL STORZ AUTOCON II 400 – (8 mm receptacle), Medtronic/Covidien/Valleylab, and Conmed Generators

For more information, contact your KARL STORZ representative or contact Customer Service at (800) 421-0837.

[www.karlstorz.com](http://www.karlstorz.com)

**STORZ**  
KARL STORZ—ENDOSKOPE