

## Bronchoscopy Instruments for Children

Set classification according to age groups  
for foreign body removal





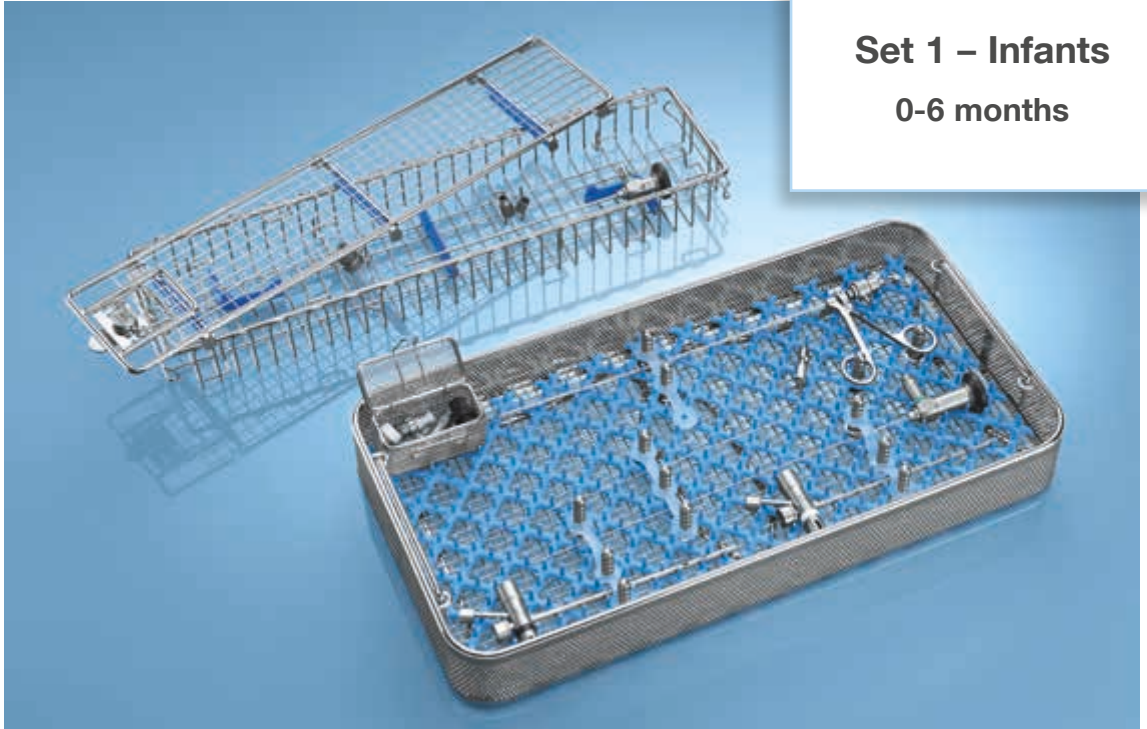
Rigid bronchoscopy has been performed for more than 100 years, and in the course of this long history, considerable advancements have been made. The company KARL STORZ has played a major role in these developments and possesses more than 65 years of experience in this area.

On this basis, we have developed pediatric bronchoscopes that are customized to the anatomy of children but offer the same features as bronchoscopes for adults. This includes bronchoscopes in various sizes and lengths as well as optical forceps and accessories.

To optimally structure our comprehensive product range for the benefit of our customers, we offer a total of three sets for foreign body removal in children. They are organized by age and corresponding tracheal diameter. Each set includes the appropriate bronchoscope sizes with a compatible telescope, optical forceps, and accessories. The instrument sets therefore offer everything needed for foreign body removal.

	<b>Set 1 Infants</b>	<b>Set 2 Small Children</b>	<b>Set 3 Children</b>
<b>Age</b>	0-6 months	0.5-6 years	6-14 years
<b>Trachea</b>	5-6 mm	6-9 mm	9-13 mm

## Set 1 – Infants 0-6 months



The smallest set for foreign body removal is suitable for newborns and infants from birth to six months of age. It is based on a short HOPKINS® telescope with rod lens system. In combination with the two rigid KARL STORZ bronchoscopes in sizes 2.5 and 3 as well as the telescope bridge, this telescope offers excellent image quality for intubation and inspection of the small bronchial system.

The equipment is completed by optical alligator forceps that can be introduced through the smallest pediatric bronchoscope of size 2.5. The forceps are combined with a semirigid miniature straight forward telescope, which makes telescope-assisted procedures possible even in infants.

The set is completed by a suction tube and a variety of accessories.

**Set 2 – Small  
Children  
0.5-6 years**



The set for small children from six months through to six years of age contains the most items. Foreign body aspiration is most common in this age group.

The set consists of five bronchoscopes in different lengths (26 and 30 cm) and sizes (3.5, 4, and 4.5) as well as the associated accessories. Through the two telescope bridges, any bronchoscope can be connected to the included HOPKINS® telescope with 0° straight forward view.

Furthermore, the telescope can be used beyond intubation and inspection by combining it with the three different optical forceps. The latter are designed for the controlled grasping and removal of various types of foreign bodies:

- Hard foreign bodies
- Soft foreign bodies and peanuts
- Flat foreign bodies and coins

**Set 3 – Children  
6-14 years**



KARL STORZ offers an excellent solution for children six to fourteen years of age as well. The equipment consists of two 40 cm long bronchoscopes and three different optical forceps as well as the associated accessories and was designed on the basis of the 44 cm long HOPKINS® straight forward telescope.

The telescope bridge can be used to connect the HOPKINS® telescope to the two bronchoscopes of sizes 5 and 6 to ensure excellent image throughout the procedure. As in Set 2, the optical forceps are designed for the following types of foreign bodies:

- Hard foreign bodies
- Soft foreign bodies and peanuts
- Flat foreign bodies and coins

## Product Overview Set 1 – Infants

### Telescopes



10018 AA **HOPKINS® Straight Forward Telescope 0°**, diameter 2.7 mm, length 18 cm, **autoclavable**, fiber optic light transmission incorporated, color code: green



10030 AA **Miniature Straight Forward Telescope 0°**, semirigid, diameter 1.3 mm, length 30.6 cm, **autoclavable**, fiber optic light transmission incorporated, color code: green

### Bronchoscopes and Telescope Bridge



10339 F **DOESEL-HUZLY Bronchoscope**, size 2.5, length 18.5 cm

10339 E **DOESEL-HUZLY Bronchoscope**, size 3, length 18.5 cm



10338 LCD **Telescope Bridge**, for fixed position between HOPKINS® Telescopes 10017 AA, 10018 AA, 10020 ATA and pediatric Esophagosopes 10339 A/B/BB/C/G/CD/D/E/F

## Optical Forceps



10374 HF

**Optical Forceps, with alligator jaws**, for the controlled grasping of hard foreign bodies, with force-limited handle, incl. cleaning adaptor, for use with Miniature Straight Forward Telescope 10030 AA

## Suction Tube



10383 CC

**Suction Tube, with cut-off hole**, outer diameter 1 mm, working length 25 cm

## Wire Trays



39501 B2 **Wire Tray for Cleaning, Sterilization and Storage** of two rigid endoscopes and one light cable, including holder for light post adaptors, silicone telescope holders and lid, external dimensions (w x d x h): 487 x 125 x 54 mm, for rigid endoscopes up to diameter 10 mm and working length 34 cm



39502 Z **Wire Tray for Cleaning, Sterilization and Storage** of instruments, stackable, including hole plate walls and foldaway handles, external dimensions (w x d x h): 480 x 250 x 66 mm

39100 S **Silicone Grid Insert LARGE DIAMOND GRID**, blue, extra wide meshed, for the storage of instruments in standard wire trays, plastic and sterilization containers, external dimensions: (w x d): 470 x 240 mm



39100 PS **Fixation Pin**, including screw and washer, to screw instruments into position in wire trays, height 38 mm, package of 12, for use with Silicone Tie-Downs 39360 AS



39360 AS **Silicone Tie-Downs**, package of 12, for use with Fixation Pins 39100 PS and 39360 AP

39501 XS **Small Parts Basket**, external dimensions (w x d x h): 80 x 40 x 40 mm

Appropriate accessories can be found on page 15.



## Product Overview Set 2 – Small Children

### HOPKINS® Telescope



- 10324 AA **HOPKINS® Straight Forward Telescope 0°**, diameter 2.9 mm, length 36 cm, **autoclavable**, fiber optic light transmission incorporated, color code: green

### Bronchoscopes and Telescope Bridges



- 10339 DD **DOESEL-HUZLY Bronchoscope**, size 3.5, length 26 cm
- 10339 CC **DOESEL-HUZLY Bronchoscope**, size 4, length 26 cm
- 10339 CD **DOESEL-HUZLY Bronchoscope**, size 3.5, length 30 cm
- 10339 C **DOESEL-HUZLY Bronchoscope**, size 4, length 30 cm
- 10339 BB **DOESEL-HUZLY Bronchoscope**, size 4.5, length 30 cm



- 10338 RK **Telescope Bridge**, for fixed position between HOPKINS® Telescope 10324 AA and pediatric Esophagoscopes 10339 A/B/BB/C/CD/EEE/G
- 10338 RL **Telescope Bridge**, for fixed position between HOPKINS® Telescope 10324 AA and pediatric Esophagoscopes 10339 CC/DD/EE/GG

## Optical Forceps



10378 HF **Optical Forceps**, with alligator jaws, for the controlled grasping of hard foreign bodies, with force-limited handle, incl. cleaning adaptor, for use with HOPKINS® Telescope 10324 AA



10378 CF **Optical Forceps**, 2 x 2 teeth, for the controlled grasping of coins and flat foreign bodies, with force-limited handle, incl. cleaning adaptor, for use with HOPKINS® Telescope 10324 AA



10378 KF **Optical Forceps**, with KILLIAN bean jaws, for the controlled grasping of peanuts and soft foreign bodies, with force-limited handle, incl. cleaning adaptor, for use with HOPKINS® Telescope 10324 AA

## Suction Tube



10381 B **Suction Tube**, with rubber tip, straight, outer diameter 2 mm, working length 35 cm

## Wire Trays

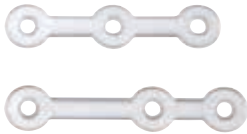


39502 ZL **Wire Tray for Cleaning, Sterilization and Storage** of instruments, long, stackable, including hole plate walls and foldaway handles, external dimensions (w x d x h): 535 x 250 x 66 mm

39100 SL **Silicone Grid Insert LARGE DIAMOND GRID**, blue, extra wide meshed, for storage of instruments in wire baskets, external dimensions: 530 x 240 mm



39100 PS **Fixation Pin**, including screw and washer, to screw instruments into position in wire trays, height 38 mm, package of 12, for use with Silicone Tie-Downs 39360 AS



39360 AS **Silicone Tie-Downs**, package of 12, for use with Fixation Pins 39100 PS and 39360 AP

39501 XS **Small Parts Basket**, external dimensions (w x d x h): 80 x 40 x 40 mm

Appropriate accessories can be found on page 15.

## Product Overview Set 3 – Children

### HOPKINS® Telescope



10023 ABA **HOPKINS® Straight Forward Telescope 0°**, diameter 2.8 mm, length 44 cm, **autoclavable**, fiber optic light transmission incorporated, color code: green

### Bronchoscopes and Telescope Bridge



10339 BL **DOESEL-HUZLY Bronchoscope**, size 5, length 40 cm

10339 AL **DOESEL-HUZLY Bronchoscope**, size 6, length 40 cm



10338 R **Telescope Bridge**, for fixed position between HOPKINS® Telescopes 10023 ABA, 10020 ATA and pediatric Esophoscopes 10339 AL/BL/CC/GG/DD/EE

## Optical Forceps



10379 HF

**Optical Forceps**, with alligator jaws, for the controlled grasping of hard foreign bodies, with force-limited handle, incl. cleaning adaptor, for use with HOPKINS® Telescope 10023 ABA



10379 CF

**Optical Forceps**, 2 x 2 teeth, for the controlled grasping of coins and flat foreign bodies, with force-limited handle, incl. cleaning adaptor, for use with HOPKINS® Telescope 10023 ABA



10379 KF

**Optical Forceps**, with KILLIAN bean jaws, for the controlled grasping of peanuts and soft foreign bodies, with force-limited handle, incl. cleaning adaptor, for use with HOPKINS® Telescope 10023 ABA

## Suction Tube



10381 A

**Suction Tube**, with rubber tip, straight, outer diameter 4 mm, working length 50 cm

## Wire Trays

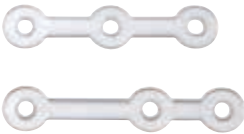


39502 ZL **Wire Tray for Cleaning, Sterilization and Storage** of instruments, long, stackable, including hole plate walls and foldaway handles, external dimensions (w x d x h): 535 x 250 x 66 mm

39100 SL **Silicone Grid Insert LARGE DIAMOND GRID**, blue, extra wide meshed, for storage of instruments in wire baskets, external dimensions: 530 x 240 mm



39100 PS **Fixation Pin**, including screw and washer, to screw instruments into position in wire trays, height 38 mm, package of 12, for use with Silicone Tie-Downs 39360 AS

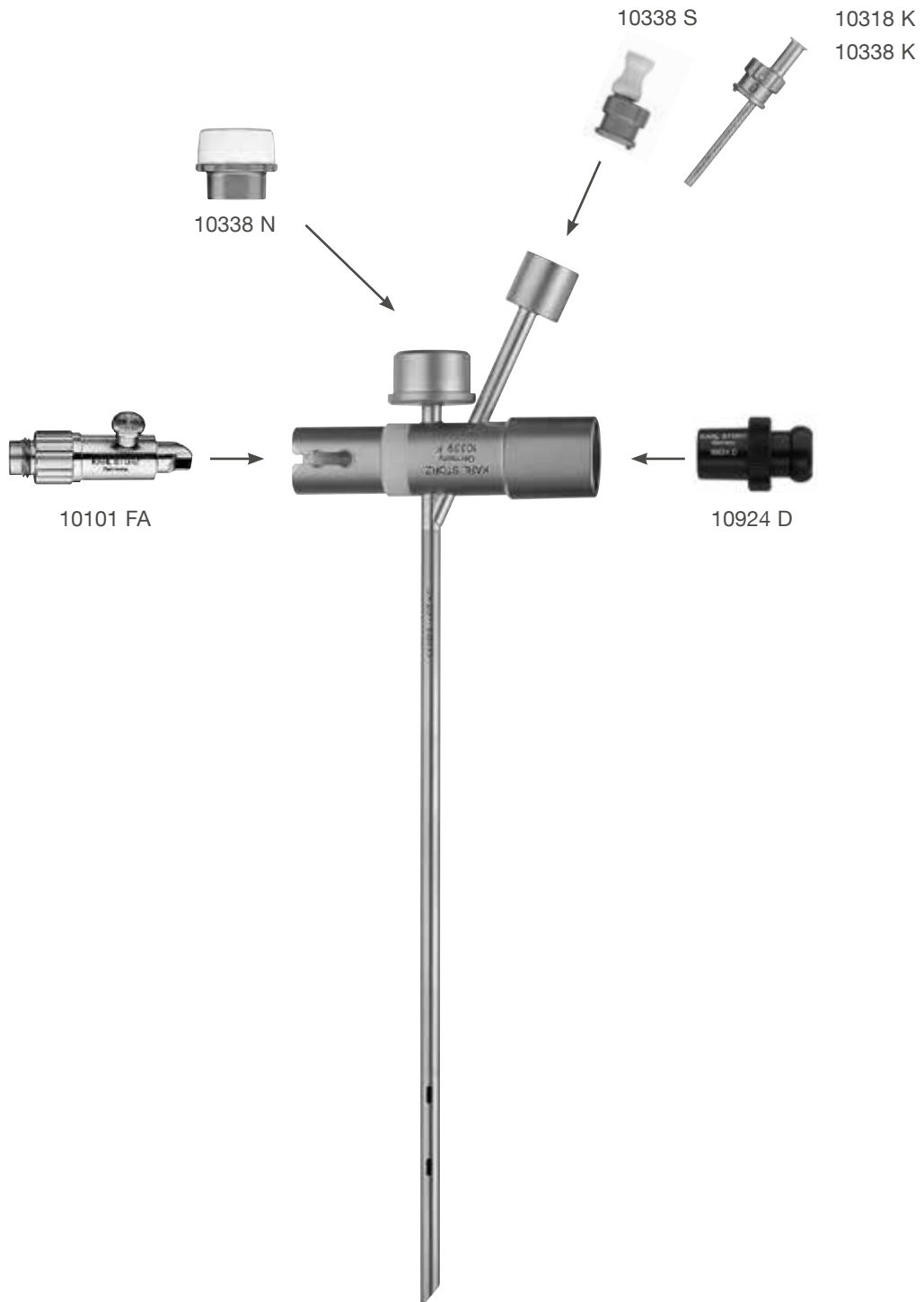


39360 AS **Silicone Tie-Downs**, package of 12, for use with Fixation Pins 39100 PS and 39360 AP

39501 XS **Small Parts Basket**, external dimensions (w x d x h): 80 x 40 x 40 mm

Appropriate accessories can be found on page 15.

## Customized Accessories



**It is recommended to check the suitability of the product for the intended procedure prior to use.**



**STORZ**  
KARL STORZ—ENDOSKOPE

THE DIAMOND STANDARD



KARL STORZ SE & Co. KG  
Dr.-Karl-Storz-Straße 34, 78532 Tuttlingen/Germany  
Postbox 230, 78503 Tuttlingen/Germany  
Phone: +49 (0)7461 708-0  
Fax: +49 (0)7461 708-105  
E-Mail: [info@karlstorz.com](mailto:info@karlstorz.com)  
[www.karlstorz.com](http://www.karlstorz.com)