

New & Improved Multi-Purpose Rigid Telescope For The Small Animal Practice



Multi-Purpose Rigid Telescope for the Small Animal Practice

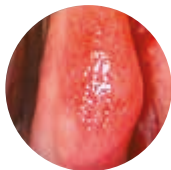
Endoscopic technology today allows direct, optically controlled access to numerous internal organs without open surgical intervention.

The approaches are either through natural bodily openings or can be created by means of small incisions.

With the versatile Multi-Purpose Rigid (MPR) telescope and the instrument set presented here, a full range of endoscopic applications is possible.

The NEW and IMPROVED large format Multi-Purpose Rigid telescope generates a larger image – making details easier to see than ever before. The new large format design features dimensions identical to the standard Multi-Purpose Rigid telescope, making it compatible with all previously recommended sheaths and instruments.

Comparison of image size between standard and large format telescopes



Standard Format Telescope



Large Format Telescope



Applications:

- Respiratory tract:
 - Rhinoscopy (dogs and cats)
 - Sinoscopy (dogs)
 - Laryngoscopy (dogs and cats)
 - Bronchoscopy (cats and other small animals)
- Otoscopy (dogs and cats)
- Laparoscopy (dogs, cats and other small animals)
- Thoracoscopy (dogs and cats)
- Coelioscopy (birds, reptiles, etc.)
- Arthroscopy (dogs)
- Urogenital tract:
 - Cystoscopy (female dogs)
 - Urethroscopy
 - Percutaneous cystoscopy (dogs and cats)
 - Vaginoscopy
- Colonoscopy (dogs and cats)
- Examination of the oral cavity (dogs, cats and other small animals)



Fig. 1:
Hepatic lipidosis

Fig. 2:
Cystic calculi

Fig. 3:
Otoscopy

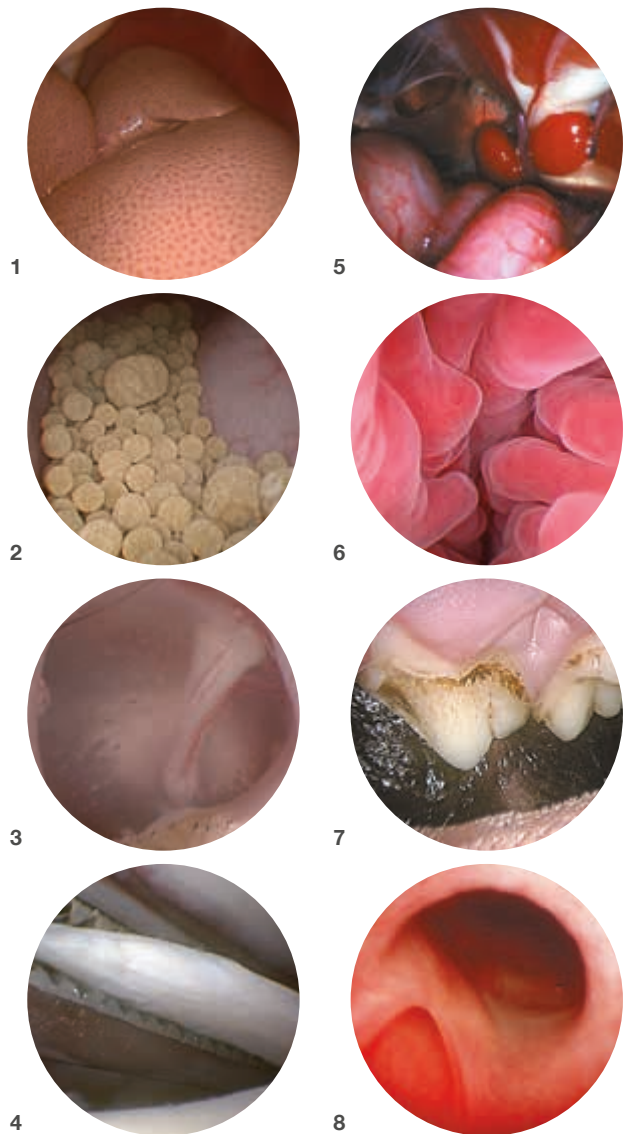
Fig. 4:
Arthroscopy

Fig. 5:
Avian endoscopy

Fig. 6:
Rhinoscopy

Fig. 7:
Dental endoscopy

Fig. 8
Ectopic ureter



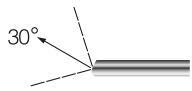
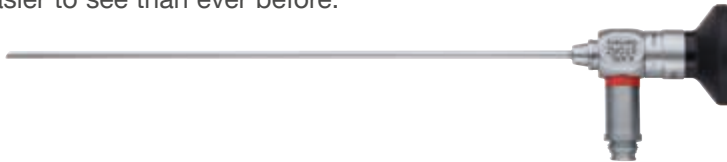
Endoscopic photographs by Dr. Tim McCarthy

The most versatile endoscope for the small animal practitioner

- Rhinoscopy
- Arthroscopy
- Laryngoscopy
- Otoscopy
- Vaginoscopy
- Thoracoscopy
- Cystoscopy
- Urethroscopy
- Laparoscopy

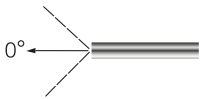
Telescope

New and improved optics deliver a larger image, making details easier to see than ever before.



64029 BA

HOPKINS® Forward-Oblique Telescope 30°, enlarged view, diameter 2.7 mm, length 18 cm, **autoclavable**, fiber optic light transmission incorporated, color code: red



NEW

64029 AA

HOPKINS® Straight Forward Telescope 0°, enlarged view, diameter 2.7 mm, length 18 cm, **autoclavable**, fiber optic light transmission incorporated, color code: green

Examination and Protection Sheath

Protects the telescope during an examination or during laparoscopy.



64018 US

Examination and Protection Sheath, diameter 3.5 mm, working length 17 cm, for HOPKINS® Telescope 64029 BA

Arthroscope Sheath

Allows for a high degree of protection and irrigation. Suitable for all applications.



64132 S

Arthroscope Sheath, with snap-in coupling mechanism, diameter 4 mm, working length 13.5 cm, one stopcock, **rotatable**, for use with HOPKINS® telescopes 30°, 70° and Obturators 64132 BC/BT

For use with Sheath 64132 S:

- 64132 BT **Obturator**, semi sharp
- 64132 BC **Obturator**, blunt

Trocar for Laparoscopy/Thoracoscopy

Allows access to the abdomen or the thorax.

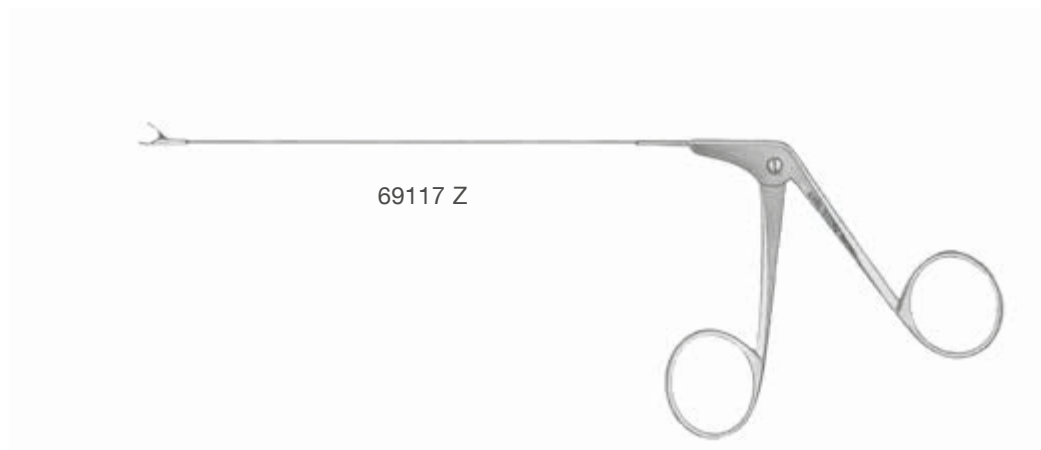
Use of Protection Sheath 64018 US is recommended with this trocar.



- 62117 GK **Trocar**, with pyramidal tip, with LUER-Lock connector for insufflation, size 3.9 mm, working length 5 cm, color code: red including:
Trocar Cannula, with outer thread
Trocar
Silicone Leaflet Valve

Rigid Biopsy Forceps

To be used parallel to the telescope if no sheath with working channel is used



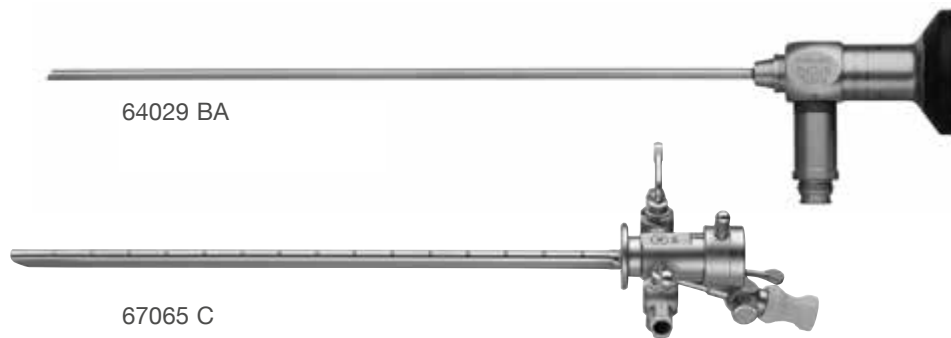
- 69117 Z **Biopsy Forceps**, rigid, round cupped jaws, diameter 1.7 mm, working length 15 cm



- 69133 **Biopsy and Grasping Forceps**, with oval cups 3 mm, sheath diameter 1.5 mm, working length 14 cm

Operating Sheath and Instruments

Protects the telescope and allows for insertion of an instrument. The two stopcocks allow simultaneous inflow and outflow of fluid or gas. This is especially useful during cystoscopy, rhinoscopy, vaginoscopy and otoscopy.



67065 C

Operating Sheath, 14.5 Fr., working length 15 cm, with working channel 5 Fr. and two stopcocks, including blunt Obturator 67065 CO



67161 Z

Biopsy Forceps, flexible, oval, double-action jaws, 5 Fr., length 34 cm



67161 T

Grasping Forceps, flexible, double action jaws, 5 Fr., length 34 cm



67023 VK

Stone Basket, flexible, 5 Fr., length 60 cm



67159 L

Polypectomy Snare, 5 Fr., length 32 cm



67071 X

Flexible Needle, with outer tube, total outer diameter 1.5 mm, tube length 31 cm, needle outer diameter 0.7 mm

Mini Multi-Purpose Rigid Telescope

For celioscopy, cystoscopy, rhinoscopy and cloacoscopy in smaller patients



67030 BA **Operating Telescope**, 9.5 Fr., working length 14 cm, **autoclavable**, fiber optic light transmission incorporated, with working channel 3 Fr. and 2 LUER-Lock cones, color code: red

Instruments for use with Mini Multi-Purpose Rigid Telescope 67030 BA



61071 ZJ **Biopsy Forceps**, double action jaws, flexible, 3 Fr., length 28 cm



61071 TJ **Grasping Forceps**, for removing foreign bodies, double action jaws, 3 Fr., length 28 cm
This delicate forceps is useful for blunt dissection or for grasping smaller objects.



STORZ
KARL STORZ—ENDOSKOPE

THE DIAMOND STANDARD



KARL STORZ SE & Co. KG
Dr.-Karl-Storz-Straße 34, 78532 Tuttlingen/Germany
Postbox 230, 78503 Tuttlingen/Germany
Phone: +49 (0)7461 708-0
Fax: +49 (0)7461 708-105
E-Mail: vet@karlstorz.com
www.karlstorz.com